

Pressure Control & Filtration

Applications

- Line pressure control and optional filtration from bulk liquid gas sources.

Integrated Components

- 316L electro-polished stainless steel tubing
- 316L UHP fittings and components
- Stainless steel square tube structural support
- Manual valves

Options

- Pneumatic valves with plc controller
- User contacts for plant-wide integration
- Mass flow controller/totalizer
- Pressure transducers
- Overpressure relief
- Burst discs
- Purge/sample ports
- Micron/sub micron filtration
- Inlet/outlet connection fittings
- Open frame or enclosed

Assembly & Test

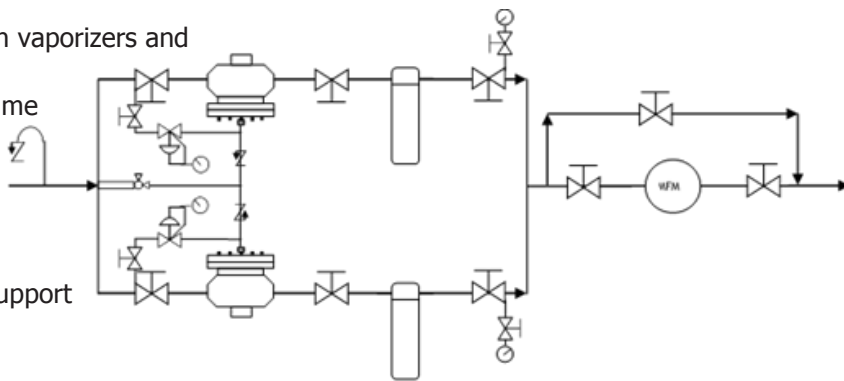
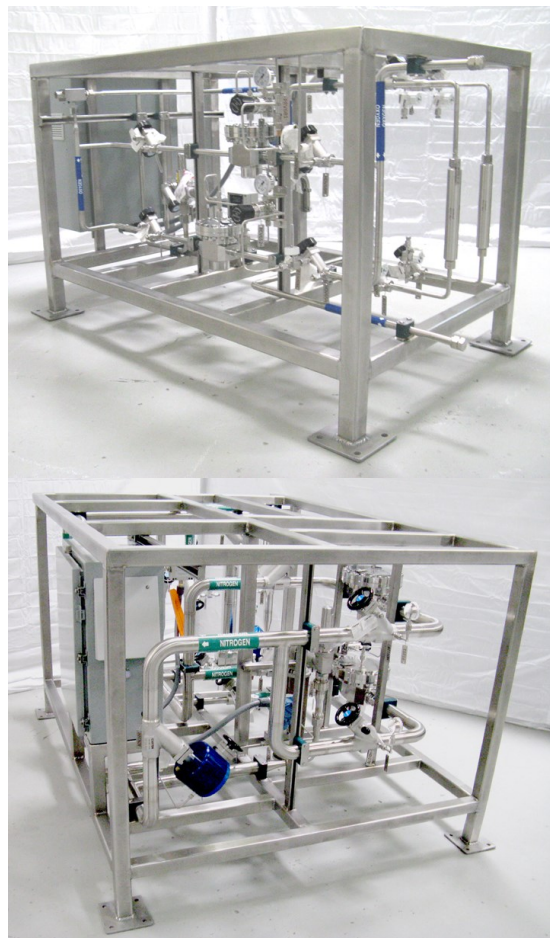
- Orbital welded plumbing
- Helium leak checked welds/fitting connections

Benefits

- Quick installation between vaporizers and downstream components
- Minimum gas flow downtime

Why ARM, Inc.?

- Consistent quality
- UHP trained welders
- Engineering installation support



Semiconductor



Energy



Pharmaceutical/Medical



Manufacturing



Specialty Gas



Industrial Gas

www.arminc.com
719-538-5959
sales@arminc.com



Advanced Research Manufacturing Colorado Springs, CO USA

....keep it simple

....keep it clean

....keep it flowing